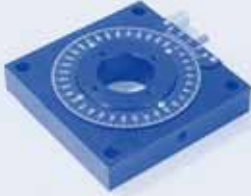


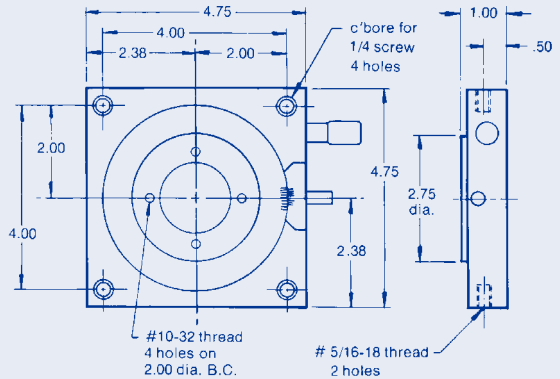
# ROTARY TRANSLATION STAGES



## Models HLX-F3-100, HLX-F4-200

### Specifications:

Construction: aluminum - stainless steel  
 Finish: black anodize  
 Weight: 1.8 lb.  
 Vernier: 6 arc minutes  
 Range: 360° continuous  
 Drive ratio: 120:1  
 Load capacity: 50 lb. horizontal, 20 lb. vertical



### Catalog Number

HLX-F3-100

HLX-F4-200

HLX-F3-100 and HLX-F4-200 rotary stages are specifically designed to provide an extremely smooth, fine resolution rotary adjustment over an unlimited rotational range. These units include a precision worm-drive mechanism for precise adjustment, a positive position locking knob, a four inch calibrated engraved dial with a six-minute vernier, and a 2.75" dia. stage

with #10-32 mounting holes.

The HLX-F3-100 has a .25" dia. thru hole for accurate center location, and the HLX-F4-200 has a 1.50" dia. thru hole.

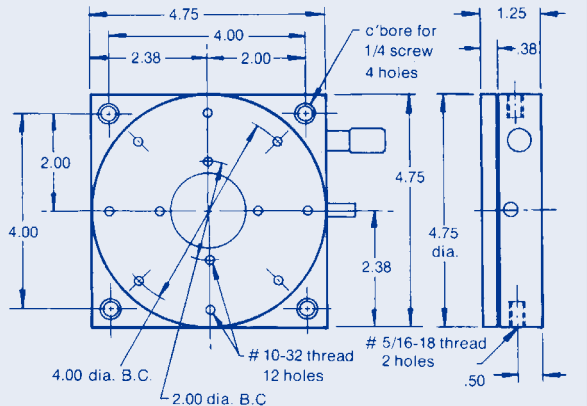
Both models can be used in a horizontal or vertical position and can be combined with linear stages having 2.00" mounting hole centers to provide multi-axis and polar set ups.



## Models HLX-H5-101, HLX-H6-201

### Specifications:

Construction: aluminum- Stainless steel  
 Finish: black anodize  
 Weight: 2.3 lb.  
 Range: 360° continuous  
 Drive ratio: 120:1  
 Load capacity: 50 lb. horizontal, 20 lb. vertical



### Catalog Number

HLX-H5-101

HLX-H6-201

HLX-H5-101 and HLX-H6-201 rotary stages incorporate the same precision worm-drive mechanism and positive position locking knob as the HLX-F3-100 and HLX-F4-

200 models. These units however, have a 4.75" dia. stage with #10-32 mounting holes.

The HLX-H5-101 has a .25" dia. thru hole for accurate center location, and the HLX-H6-201 has a 1.50" dia. thru hole.

Both models can be used in a horizontal or vertical position and can be combined with linear stages having 2.00" mounting hole centers.