

LINEAR TRANSLATION STAGES

Series HMX Linear Translation Stages

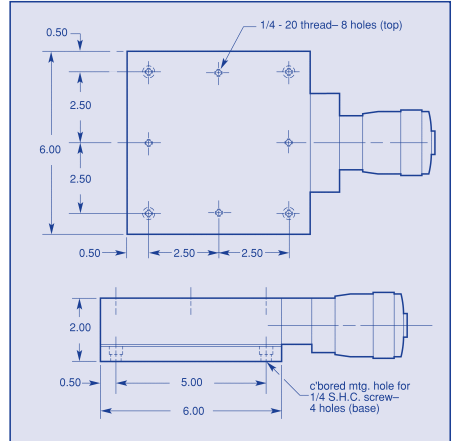
The HMX-C2, C3, and C4 series stages incorporate a pre-loaded ball design which permits low friction linear movement with no backlash or side play on hardened stainless steel balls and ways. All models provide a six inch square mounting surface and both top and bottom mounting surfaces are lapped. These stages are available plain or with various readouts, and can be stacked for 2-axis (X-Y) or 3-axis (X-Y-Z) applications.

Specifications:

construction: aluminum- stainless steel
 finish: black anodize
 weight: 6 lb.
 straight line accuracy: .0001"/inch
 positional repeatability: .0001
 travel: 1.00" to 4.00"

Load Capacity:

HMX-C2-900 100 lbs.
 HMX-C3 series 100 lb. horizontal
 50 lb. vertical
 HMX-C4 series 100 lb. horizontal
 30 lb. vertical



Catalog No.	Travel
HMX-C3-910	1"
HMX-C3-911	2"
HMX-C3-912	25 MM
HMX-C3-913	50 MM

ORDER BY CATALOG NUMBER

Catalog No.	Travel
HMX-C2-900	4"

Catalog No.	Travel
HMX-C4-914	1"
HMX-C4-915	2"

Model HNX-A5-575 Linear-Rotary Translation Stage

The HNX-A5-575 linear-rotary stage is offered as a compact unit for providing linear and rotary motion. This unit is designed for applications where space restrictions do not allow for stacking of a linear stage and a rotary stage. The mounting surface is 2.38" dia. with a .75 dia. thru hole, with (4) #10-32 threaded mounting holes on 2.00" centers. Linear travel is provided by a fine resolution adjustment screw. Rotary travel is provided with both a coarse and a fine adjustment. This feature allows quick rotation over a continuous 360° range, plus precise angular adjustment at any selected position.

Specifications:

construction: aluminum-stainless steel
 finish: black anodize
 weight: 1 lb.
 straight line accuracy: .0005/inch
 positional repeatability: .0001
 rotational range: 360° continuous (coarse adjustment)
 10° (fine adjustment)
 linear range: .50"

